



Impact protection systems

ELEKTRON sp. z o.o. sp.k. / 38-462 Kobylany, Sulistrowa 33 , Poland /+48 13 307 03 03/
laser@web-elektron.pl , biuro@web-elektron.pl /www.web-elektron.pl

ABOUT US

Our company provides comprehensive services in the field of laser cutting, sheet metal bending, welding, drilling and threading. Although we are a young company, we have professional knowledge that we are constantly increasing. Our experience helps us solve even the most difficult problems we face in our work.

CONTACT



WE INVITE YOU TO CONTACT:

Firma Produkcyjno-Usługowa
ELEKTRON Limited liability company
limited partnership



Customer service hours:

Monday - Friday, 7:00 am - 4:00 pm



38-462 Kobylany, Sulistrowa 33



CUSTOMER SERVICE OFFICE

+48 13 307 03 03



SHEET LASER CUTTING:

laser@web-elektron.pl



OFFICE:

biuro@web-elektron.pl



www.web-elektron.pl



NIP: 6842640074



REGON: 360939126



KRS: 0000749874

CONTENT

INTRODUCE	1
Steel Bollards	2
Tubular Protection Guards	5
Stainless Steel Floor Rail	8
Steel Hoop Safety Guards	11
Collision Protection Bars	14
Wheel guides	17
Overhead Clearance Bars	20
Corner Tubular Protection Guard	22
Column & Post Protectors	29
Vertical Pipe Protectors	32
Pallet Racking Protectors	35



Manufacturer of industrial fenders

ELEKTRON sp. z o.o. sp.k. is the business of comprehensive services in the field of laser cutting, sheet metal bending, welding, drilling and threading. such as Railing , Fenders We have over 9 years of experience in the production of metal products. Comprehensive, professional service and the highest quality products are our priority.

Impact protection systems

Barriers comply with today's Health & Safety regulations. As well as protecting racking, barriers segregate and protect forklift truck battery chargers, vending machines, conveyors, factory or warehouse offices.

Demarcate pedestrian areas and doorways. Guard busy areas and danger zones.

Safety barriers and barricades are used for a variety of everyday applications to prevent harm.

For setting up barriers inside control pedestrian traffic and crowds. Are quick and effective to block off areas.

Barriers stand in the way to protect you from dangers!

In the offer specially prepared by us, you will find industrial fenders in various versions, from simple pole fenders to trolley fenders, corner fenders, technical barriers, linear ground fenders and many others, in various designs and modifications.

- If you need custom products to size. We will carry out every order.
- We invite you to familiarize yourself with our offer.



Steel Bollards

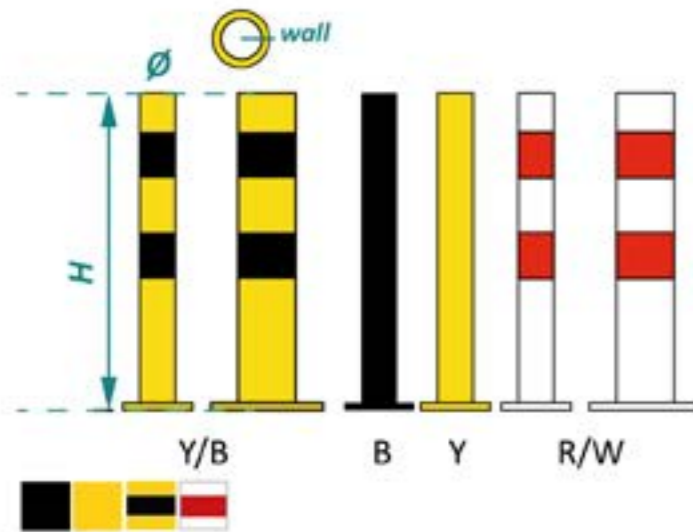
Steel Bollards

Column bumpers are most often used to protect industrial gates, fencing pedestrian and transport routes, to protect vulnerable places or as machines and technological lines. They are usually mounted in warehouses, production plants, reloading docks, etc. They provide basic protection against the impact of transport equipment.

Steel Safety Bollards have a yellow painted surface and strips of reflective foil. Bumpers effectively protect storage racks, production line machinery and equipment, as well as structural elements of industrial halls. Fenders mounted to the ground by screwing.

The pole fenders are made of high quality steel. The products have a yellow varnished surface, additionally marked with black reflective film strips. The end of the fender is permanently blinded with a welded steel plug. Buffers provide security for storage racks, production line machinery and equipment as well as structural elements of industrial halls.

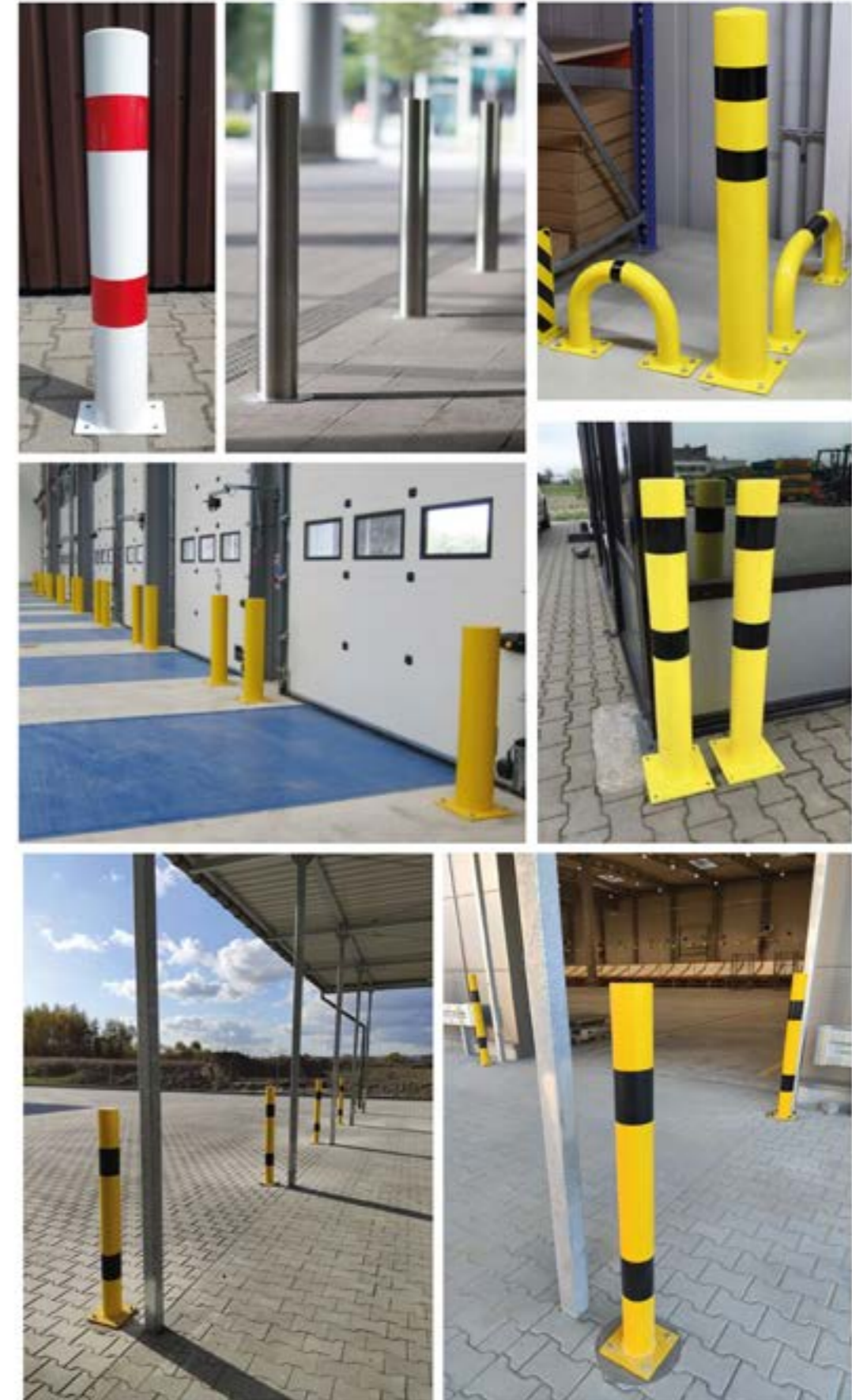
Steel Bollards



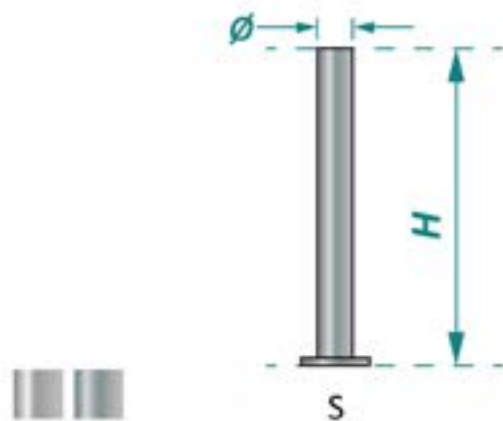
Symbol	Ø (mm)	H (mm)
SB01	48.3	300,600,800, 900,1000,1200
SB02	60.3	
SB03	76.1	
SB04	114.3	
SB05	159	
SB06	219.1	

Key Features:

- Material - Stainless steel
- Diameters - 48.3, 60.3, 76.1, 114.3, 159, 219.1 mm
- Heights - 300, 600, 800, 900, 1000, 1200 mm
- The base is made of sheet metal 8 mm with dimensions - 120x120 mm (Ø48.3; Ø60.3), 140x140 mm (Ø76.1), 200x200 mm (Ø114.3), 250x250 mm (Ø159), 300x300 mm (Ø219.1)
- Powder coated surface in yellow, black reflective strips
- Fastening to the ground by screwing (plugs not included), size of mounting holes: 12.5 mm



Stainless steel Bollards



Symbol	Ø (mm)	H (mm)
SSB01	42.4	250
SSB02	42.4	500
SSB03	42.4	800

column fender Stainless steel fender is used in shops, shopping malls, cold stores etc.

Key Features:

- Diameter - 42.4 mm.
- Height - 250/500/800 mm.
- Material - Stainless steel



Tubular Protection Guards

Tubular Protection Guards

Black Bull Steel Barrier Protection Guard are suitable for use outdoors, providing a high level of protection for work areas and traffic routes.

The barriers are easy to install with bolts and can be bolted directly to concrete quickly and easily, ideal for the likes of warehouses, freight depots, storage facilities and many more.

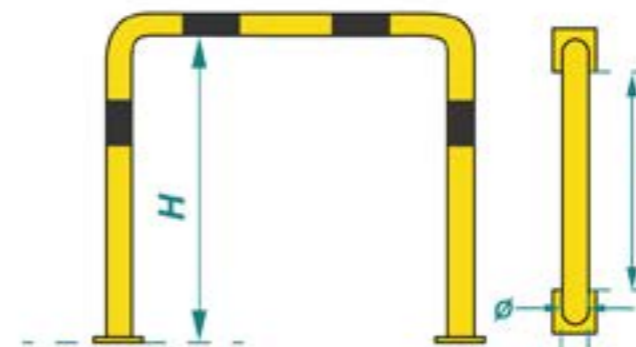
Each protective hoop is made from the best quality steel and powder coated yellow for easy recognition by pedestrians, machinery users etc.

Applications : Protect stock, traffic routes and work areas, separates different traffic routes (e.g. stacker lanes in warehouses and pedestrian traffic), machinery, supports, columns, shelving, loading ramps, equipment etc.

Indoor: Powder-coated yellow with black bands.

Outdoor: Hot-Dip Galvanised and powder-coated yellow with black bands

Tubular Protection Guards

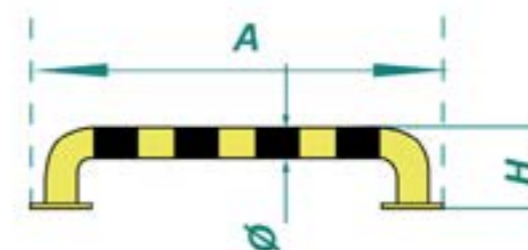


Symbol	Ø (mm)	H (mm)	A (mm)
TP-L01	60.3	400	
TP-L02	60.3	600	500,600,800
TP-L03	60.3	800	

Hydrant fender protects lighting poles and hydrants in parking lots. has two feet made of sheet metal, thickness 8 mm. Each foot has four mounting holes with a diameter of 10 mm. Fender height to choose.

Key Features:

- Pipe diameter - 60.3 mm,
- Coating - hot dip galvanized,
- Installation - bolted to four anchors,
- Application - warehouses, parking lots, etc.

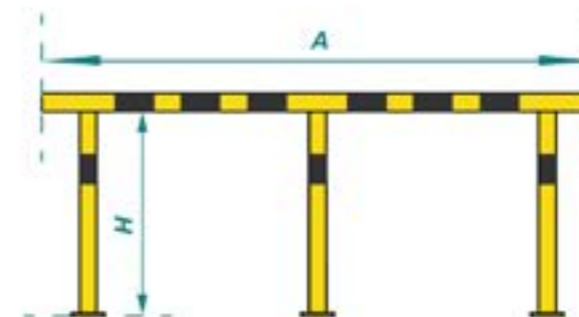


Symbol	Ø (mm)	H (mm)	A (mm)
TP-S01	60.3	120,200,300,800,1000	300,350,400,450,500,600,800,1000,1200,1500,2000,3000
TP-S02	76.1		
TP-S03	114.3		

fenders for internal and external use.

Key Features:

- Made of thick-walled ordinary steel
- powder painted on any ral, presented
- painted in yellow with black stripes and taped, taped with non-reflective plain tape.



Symbol	Ø (mm)	H (mm)	A (mm)
TP-H01	60.3	120,200,300,800,1000	300,350,400,450,500,600,800,1000,1200,1500,2000,3000
TP-H02	76.1		
TP-H03	114.3		

Key Features:

- painted in yellow with black stripes on 2 legs, also taped with tape, taped with non-reflective plain tape.
- the colors can be different, it is possible to stick a reflective foil on them.
- Diameters and sizes can be in various combinations depending on the application.



Stainless Steel Floor Rail

Stainless Steel Floor Rail

The floor mounted stainless steel rail is typically fixed in front of glazed areas, signage displays, and walls of stores. These areas are where your premises are most at risk from the damage caused by wheeled trolley traffic.

The stainless steel trolley rail is fully modular which makes it cost effective and easy to install. The stainless steel floor rail is supplied as a bolt down option as standard.

The stainless steel corner guard

The stainless steel corner guard is designed to protect one of the most vulnerable areas of a wall from severe impact and wear, significantly reducing ongoing maintenance and repair costs.

Shop fender stainless steel



Symbol	Ø (mm)	H (mm)	A (mm)
SFS01	42.4	180	490,740, 1240,1620
SFS02	42.4	180	
SFS03	42.4	180	
SFS04	42.4	180	

linear fender Stainless steel linear fender is used in shops, shopping malls, cold stores etc.

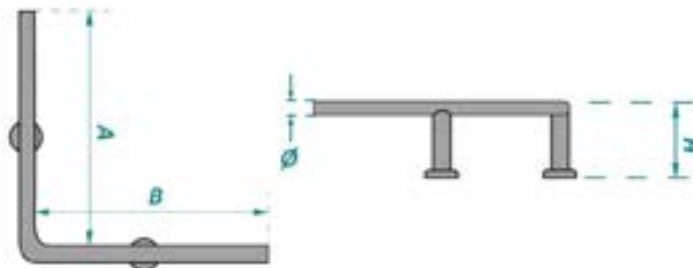
In standard version dimensions are presented in the product card. At the customer's order, we make store fenders with other dimensions than standard.

Key Features:

- coating - stainless steel,
- assembly - screwed with wall plugs.



Corner shop fender stainless steel



Symbol	Ø (mm)	H (mm)	A (mm)	B (mm)
CFS01	42.4	180	490	490
CFS02	42.4	180	620	620

Corner shop fender is used in shops, shopping centers, cold stores etc.

In standard version dimensions are presented in the product card. At the customer's order, we make store fenders with other dimensions than standard.

Key Features:

- coating - stainless steel,
- assembly - screwed with wall plugs.

Steel Hoop Safety Guards



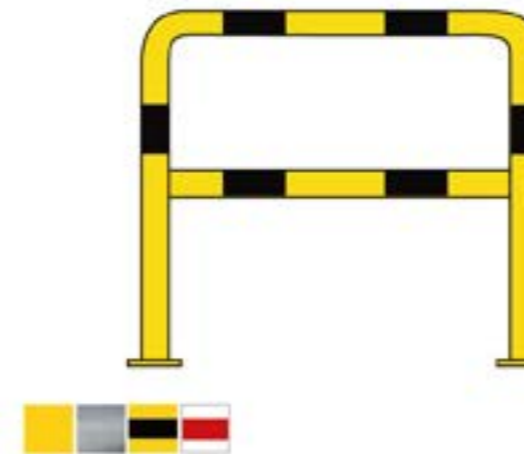
Steel Hoop Safety Guards

Use steel hoop guards at your factory, warehouse, loading dock, commercial entrance or exit or in any other place where visible segregation of space is needed. Use them to separate different zones within your area, such as where vehicles and machinery go versus where pedestrians can walk. Doing this will ensure better safety standards all around, and also ensure that visible warnings are present to let everyone know exactly which areas are off bounds versus which aren't.

It is essential to have visible to protect vulnerable areas of your business from accidental damage. Protection guards are the ideal way to ensure that sturdy, strong protection guards absorb the impact should an accidental bump, scrape or collision occur.

These steel hoop guards are perfect for entrance and exit areas, where heavy amounts of traffic consistently move in and around the area. Ensuring that you have a pedestrian walkway securely cordoned off is a vital aspect of maintaining safety and regulation, and the eye-catching colour of these steel hoop guards in yellow and black will ensure that they have the impact required both visually and practically.

Steel Hoop Guard



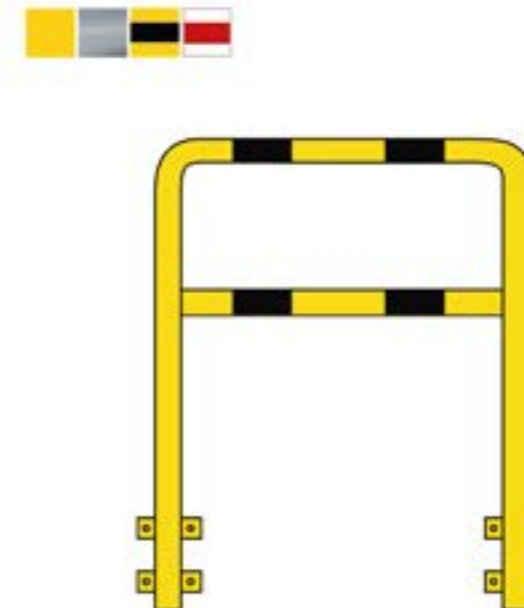
Symbol	L (mm)	H (mm)	Ø (mm)	Wall (mm)
SH01	500	900	48	4.0
SH02	1000	900	48	4.0
SH03	1200	900	48	4.0
SH04	1500	900	48	4.0

Traffic line steel hoop guard designed for protection of pedestrian areas, machinery, dangerous zones, elevation changes, loading docks and other hazardous areas.

Key Features:

- Highly visible, powder coated yellow finish.
- 48 mm diameter with reinforcing crossbar for additional stability.
- Height: 900 mm above ground. Each guard requires 4 expanding bolts or standard bolts & plugs (not included)

Permanent Wall Fix Steel Hoop Guard



Symbol	L (mm)	H (mm)	Ø (mm)	Wall (mm)
F-SH01	1000	1300	48	4.0
F-SH02	1500	1300	48	4.0
F-SH03	2000	1300	48	4.0

Permanent Wall Fix Steel Hoop Guard in Yellow/Black Protect and segregate pedestrians from machinery spaces and other zones from work vehicles, falls etc as well.

Key Features:

- Versatile and effective protection.
- Highly visible finish.
- Additional reinforcing bar.
- Requires 4 fixings per guard.



Warehouse Collision Protection Bars

Collision Protection Bars

provide low cost protection for plant and machinery from forklift trucks, roller containers, trolleys, pallet trucks etc.

Additionally they can be used to protect shelving and wall mounted equipment such as instruments, switch cabinets, first aid equipment etc. Due to their low profile they allow easy pedestrian access to protected areas.

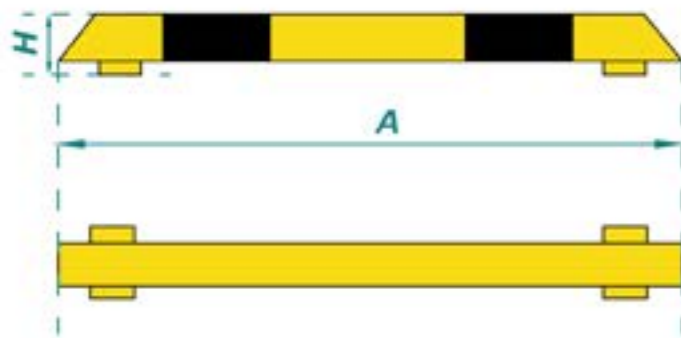
Each Collision Protection Bar is made from the toughest German steel and provides excellent protection to nearby assets, especially in the likes of warehouses where frequent forklift activity or pallet trucks may be in operation.

Each collision protection bar is powder coated yellow and is equipped with black markings to alert nearby forklift users and pedestrians to their presence.

The low profile design allows for easy access to the protected areas in questions, keeping the collision protection low enough to allow access to pallet racking, machinery etc.

The collision protection bars can be bolted to the surface quickly and easily and provide instant protection to nearby assets.

Collision Protection Bars



Symbol	Ø (mm)	H (mm)	A (mm)
CPB01	60.3	-	400,600,800,1000, 1200,1500,1800
CPB02	76.1		
CPB03	114.3		

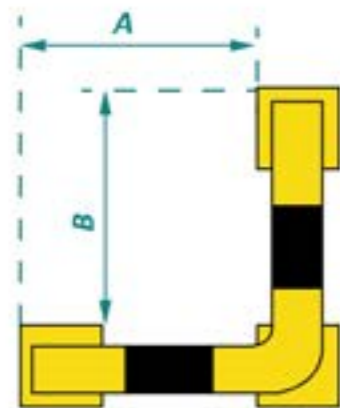
Collision Protection Bars are ideal for protecting shelving, cabinets, wall-mounted equipment (instruments, switch cabinets, first aid equipment etc.) and well as machinery or racking.

Key Features:

- Diameters : 60.3 mm , 76.1 mm. , 114.3 mm.
- Base plates: 10mm thick. Pre-drilled with 2 fixing holes



Corner Collision Protection Bar



Symbol	Ø (mm)	A (mm)	B (mm)
C-CPB01	76.1	638	638

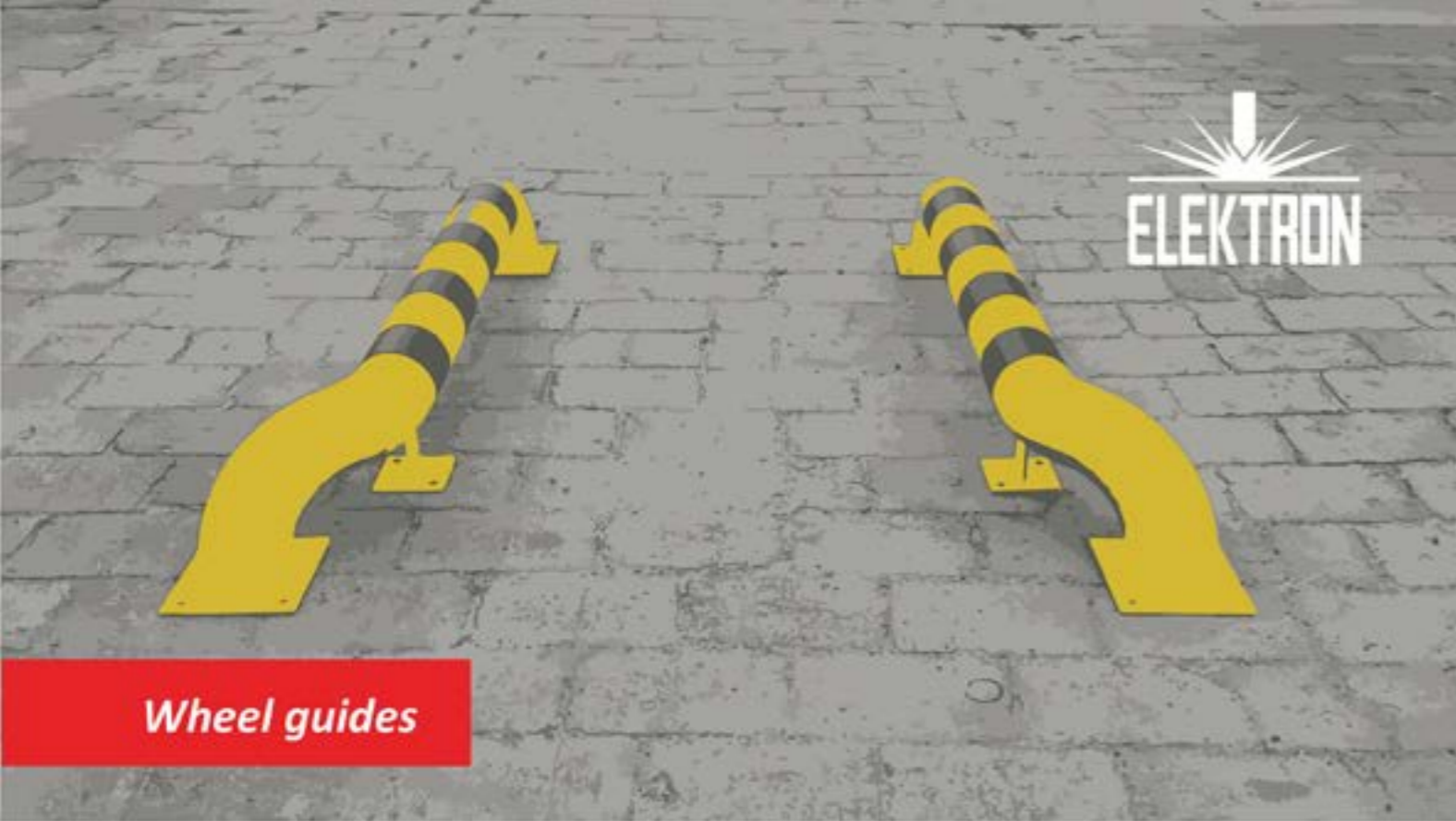
Collision Protection Bars offer low cost, effective protection for plant and machinery from forklift trucks, roller containers, trolleys, pallet trucks etc.

Key Features:

- Easily and quickly installed.
- Protect machinery, plant etc.
- Interior use only.
- 6 fixing bolts required. These must be ordered separately
- 'Floor Fixings'. 12 x 100 Rawl Plug Bolts or Through Bolt Anchors are recommended.



Applications : Protect shelving, cabinets, wall-mounted equipment (instruments, switch cabinets, first aid equipment etc.).

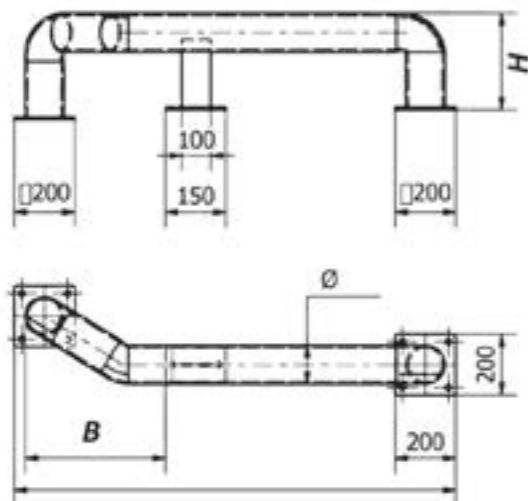


Wheel guides

Wheel guides

Warehouse Partners can provide steel fabricated HGV vehicle wheel guides used to guide trailers onto loading docks which are available in both cranked & straight configurations for low level applications.

With the correct placement of wheel guides, safety, security and confidence for the HGV driver make these simple but effective solutions for your warehouse – each loading dock can take several hundred movements of vehicles every week so its worth getting your protection just right.

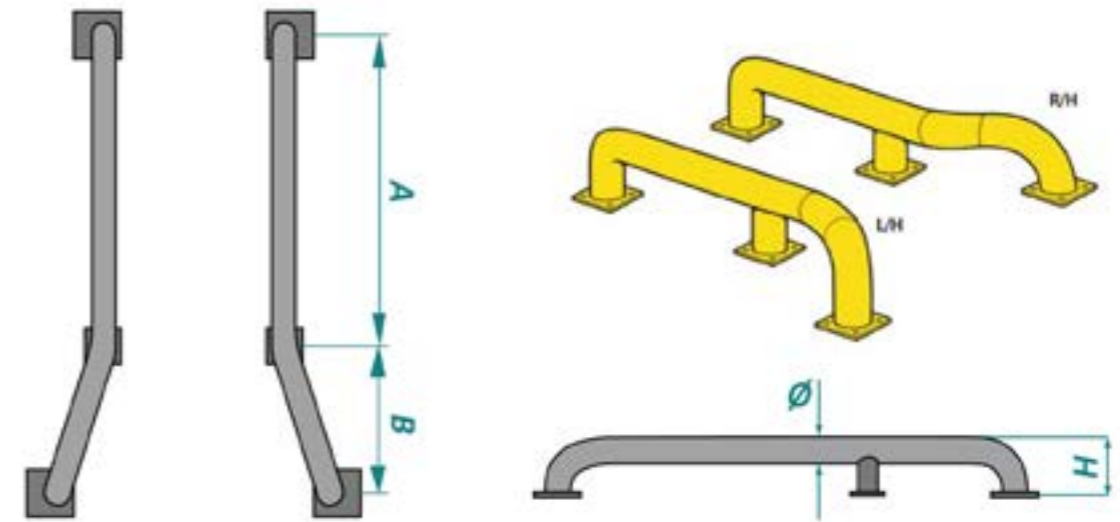


Stertil wheel guides installed in front of the loading bay increase the safety and efficiency of loading and unloading operations. Wheel guides ensure that the vehicle approaches the loading bay centrally and straight.

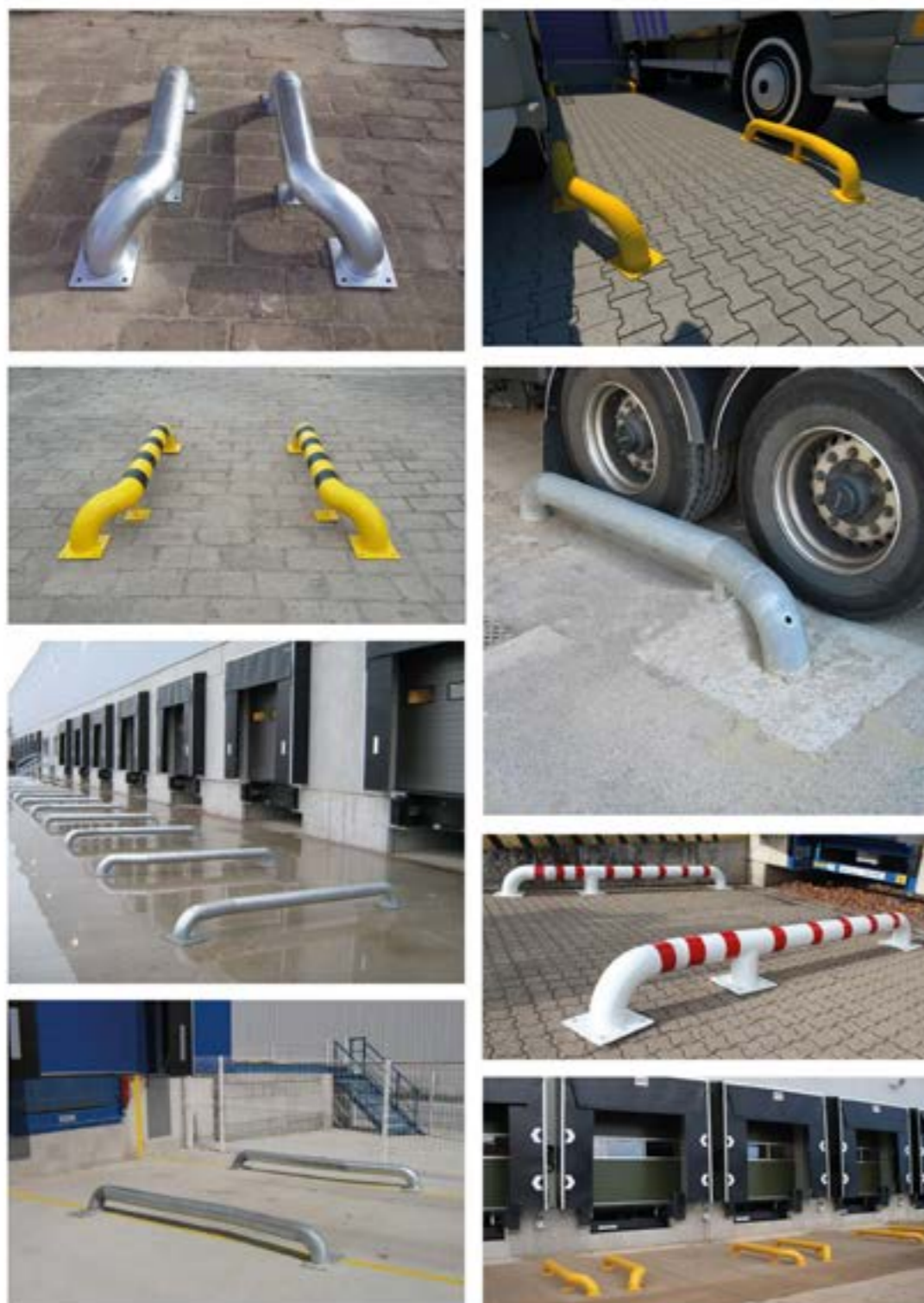
Wheel guides



This pair of bolt down wheel guides are galvanized and yellow powder coated. Their splayed ends increase the effectiveness of this durable driver aid ensuring that trailers contact the loading dock squarely.



Symbol	Ø (mm)	H (mm)	A (mm)	B (mm)
WG01	159.6			
WG02	159.6	200,300,500	1000,1200,1500,	300,500,600,
WG03	159.6		1800,2000	1000
WG04	159.6			



Height limiters and gate protection



Hanging fender is designed to limit the height of e.g. entries to parking lots. Each has two or three holders (depending on the length) to which the chains holding the fenders are attached .

Application - warehouses, parking lots, ramps, etc.

Height limiters and gate protection



Symbol	Ø (mm)	A (mm)
HL01	48.3	1000,1200,1500,
HL02	60.3	1800,2000
HL03	76.1	

- Key Features:**
- Coating - powder coating yellow with black stripes,
 - Mounting - suspended on chains



Corner Tubular Protection Guard

Steel corner protection guards offer effective heavy duty protection of stock, traffic routes, for separating different traffic routes e.g. stacker lanes in warehouses and pedestrian traffic. Other uses are for protecting machinery, columns, shelving and loading ramps.

each indoor unit is powder coated yellow with black bands for the best in visibility in the likes of warehouses and freight depots.

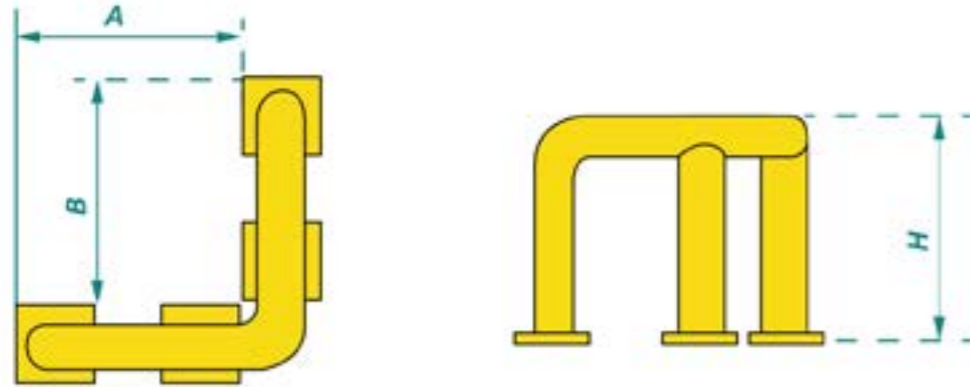
The outdoor protection guards are made from hot-dip galvanised steel as well as being powder coated - helping to prevent rusting and corroding in the harshest of weather.

When installing the corner protection guards each unit is fitted with 3 base plates that allows for quick and easy installation into concrete where they are needed most.

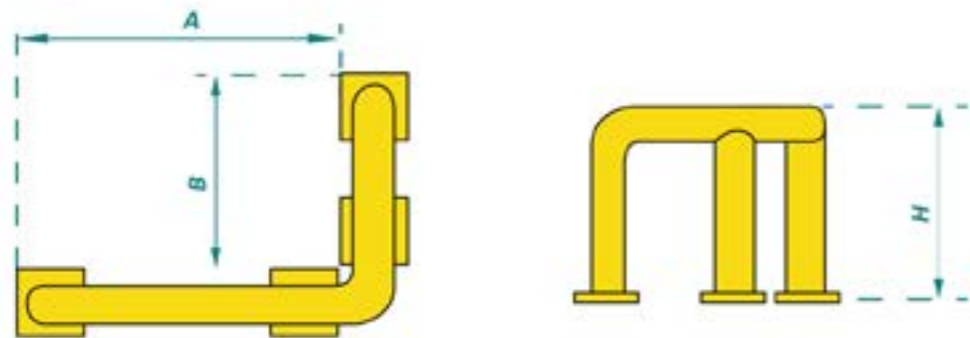
Applications: Separates different traffic routes (e.g. stacker lanes in warehouses and pedestrian traffic). Protects stock, traffic routes and work areas, machinery, supports, columns, shelving, loading ramps, equipment etc.

L storage buffers

L storage buffers are made of solid steel . They cover the edges of shelving, machines and equipment located inside production and storage halls. They secure structural elements of industrial facilities.



Symbol	Ø (mm)	H (mm)	A (mm)	B (mm)
L-101	60.3	300		
L-102	60.3	600		
L-103	60.3	800	300,400,500,	300,400,500,
L-104	60.3	900	600,800,900,1000	600,800,900,1000
L-105	60.3	1000		
L-106	60.3	1200		



Symbol	Ø (mm)	H (mm)	A (mm)	B (mm)
L-201	60.3	300		
L-202	60.3	600		
L-203	60.3	800	300,400,500,	300,400,500,
L-204	60.3	900	600,800,900,1000	600,800,900,1000
L-205	60.3	1000		
L-206	60.3	1200		



U-type fenders Buffers

used as protection for free-standing construction and wall poles. Mostly used in production, storage and parking halls. Their task is to protect corner elements from getting into them with a forklift, car or other company internal transport vehicle.

U bumper with two legs



They are most often used in warehouses, parking lots and other production areas.

Key Features:

- The basic diameters : 60.3 mm and 76.1 mm.
- The fender is mounted on two legs.

Symbol	Ø (mm)	H (mm)	A (mm)	B (mm)
U-101	60.3	300,600,800,	300,400,500,	300,400,500,
U-102	76.1	1000	600,800	600

Three-leg U fender



They are most often used in warehouses, parking lots and other production areas.

Key Features:

- The basic diameters : 60.3 mm and 76.1 mm.
- The fender is mounted on three legs.

Symbol	Ø (mm)	H (mm)	A (mm)	B (mm)
U-201	60.3	300,600,1000	200,250,300,400,500,	300
U-202	76.1		600,800,1000,1200	

Four-leg U fender



They are most often used in warehouses, parking lots and other

Key Features:

- The basic diameters : 60.3 mm and 76.1 mm.
- Each foot has four mounting holes with a diameter of 10 mm.
- The fender is mounted on four legs
- The foot is made of 8 mm thick metal sheet.

Symbol	Ø (mm)	H (mm)	A (mm)	B (mm)
U-301	60.3	300,600,800,	300,400,500,	300,400,500,
U-302	76.1	1000,1200	600	600

Protection hoops for gas pumps



Fender for gas stations, diameters and dimensions adapted to the needs of gas stations. We also make fenders of this type for individual customer orders.



Symbol	Ø (mm)	H (mm)	A (mm)
GP01	114	750	900
GP02	106	750	900





Column & Post Protectors

Column & Post Protectors

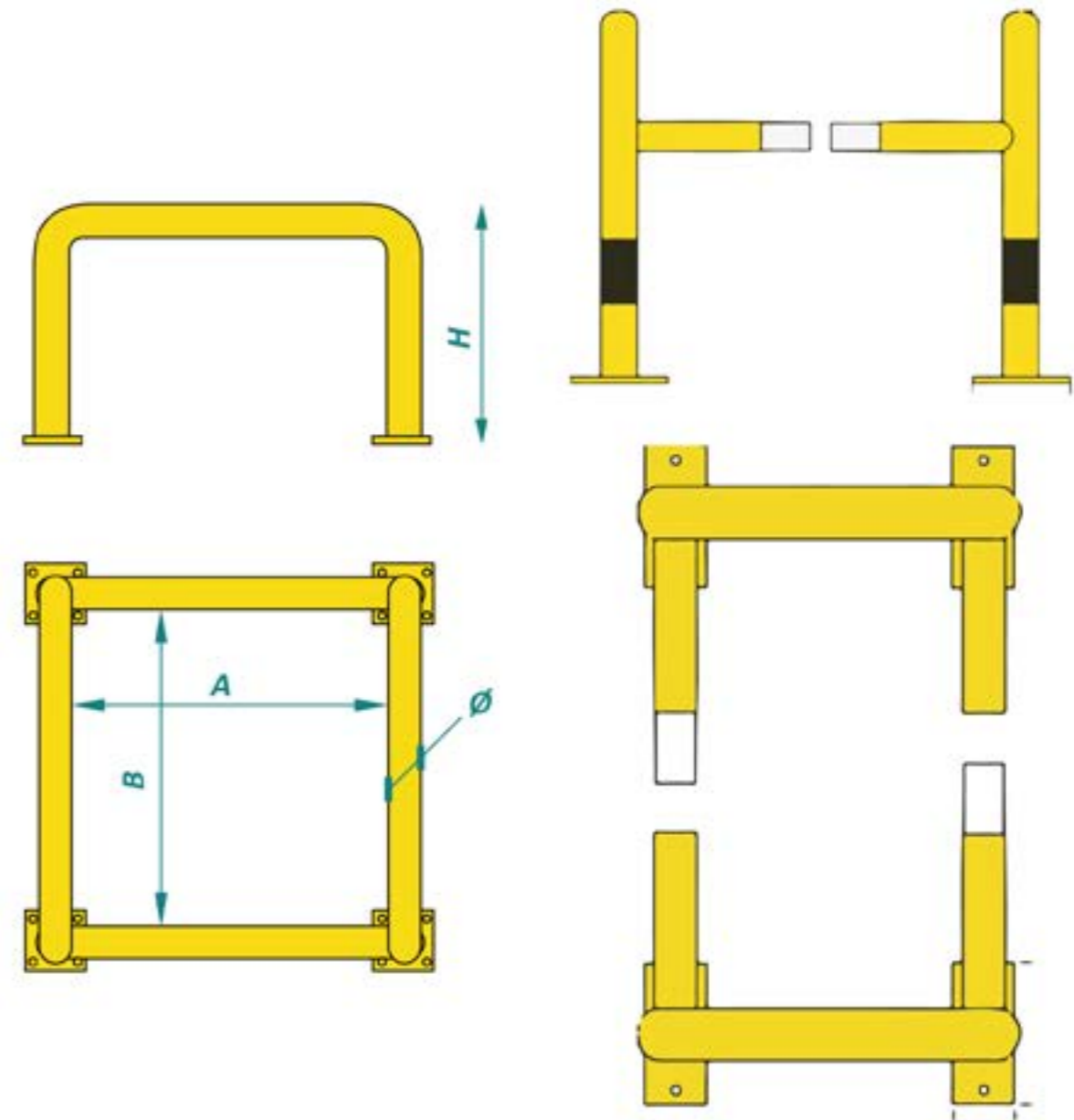
These highly versatile Column Protectors provide strong protection for vulnerable columns, exposed pipework etc. against damage by motorised transport.

Column Protectors are usually used for warehouses, logistic depots, street posts and trees, factories, public buildings etc.

- 'One way' assembly for easy installation
- Strong steel construction
- Isolates column from impact shock
- Highly visible versions
- Anchor Plates have 2 drilled holes per plate
- Suitable for indoor and outdoor use

Robust steel guard to protect pillars or columns. The pillar guard is available in two variations: for indoor (powder coated) or outdoor use (galvanised and powder coated). Its yellow and black colour combination ensures the pillar guard is clearly visible.

Column & Post Protectors



Symbol	Ø (mm)	H (mm)	A (mm)	B (mm)
CPP01	60.3	400		
CPP02	60.3	600		
CPP03	60.3	800	500,600,700,800	500,600,700,800
CPP04	60.3	1000		
CPP05	60.3	1200		



Vertical Pipe Protector

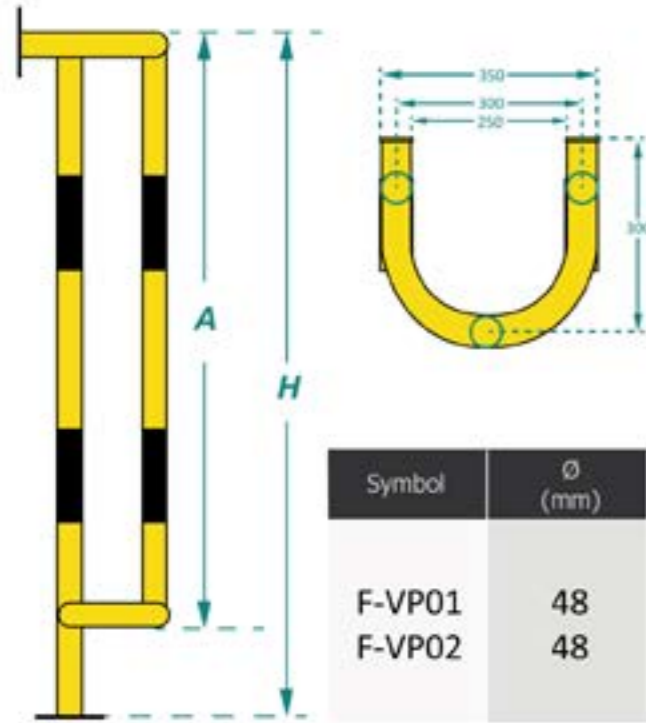
Vertical Pipe Protectors

Vertical Pipe Protectors are protected against accidental damage by passing vehicles as well.

- Protection for exposed down pipes, cables and cable runs against accidental damage from fork-lift trucks and other vehicles
- 'U' shaped profile with 4 keyhole slots for easy installation
- Manufactured from high grade steel
- Internal or external use options available
- Outdoor options available in either raw galvanised or galvanised and powder coated bright yellow with black bands
- Indoor options powder coated bright yellow with black bands

Applications : Factories, Warehouses, Public Buildings, Office Blocks etc.

Floor Mounted Vertical Pipe Protectors



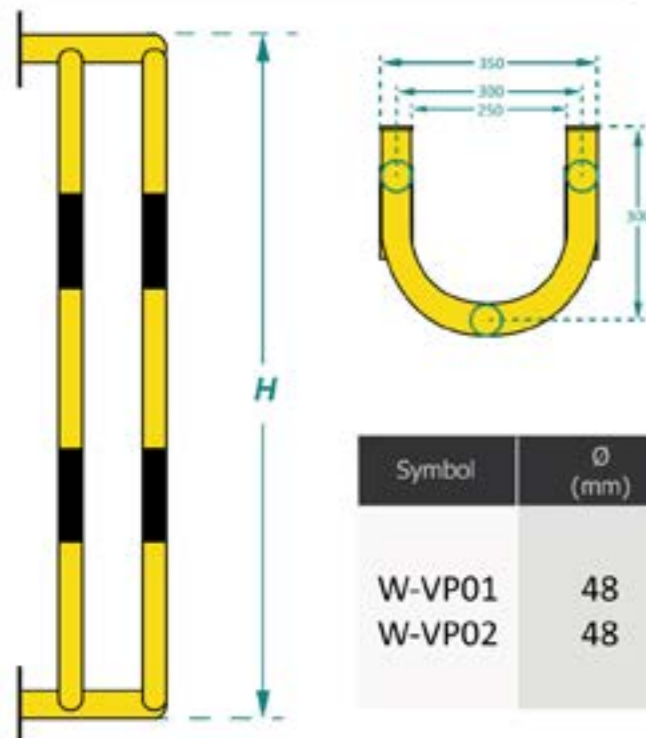
Key Features:

- Floor Mounted
- Quickly & easily installed.
- All steel construction.
- Effective protection.
- Highly visible.
- Requires 8 fixings per guard
- Anchor plates: 150 x 50 x 5 mm (drilled 2 holes per plate).

Symbol	Ø (mm)	H (mm)	A (mm)	W (mm)	D (mm)
F-VP01	48	1500	1300	350	300
F-VP02	48	1000	800	350	300



Wall Mounted Vertical Pipe Protectors



Key Features:

- Wall Mounted
- Quickly & easily installed.
- All steel construction.
- Effective protection.
- Highly visible.
- Requires 8 fixings per guard
- Anchor plates: 150 x 50 x 5 mm (drilled 2 holes per plate).

Symbol	Ø (mm)	H (mm)	W (mm)	D (mm)
W-VP01	48	1500	350	300
W-VP02	48	1000	350	300





Pallet Racking Protectors

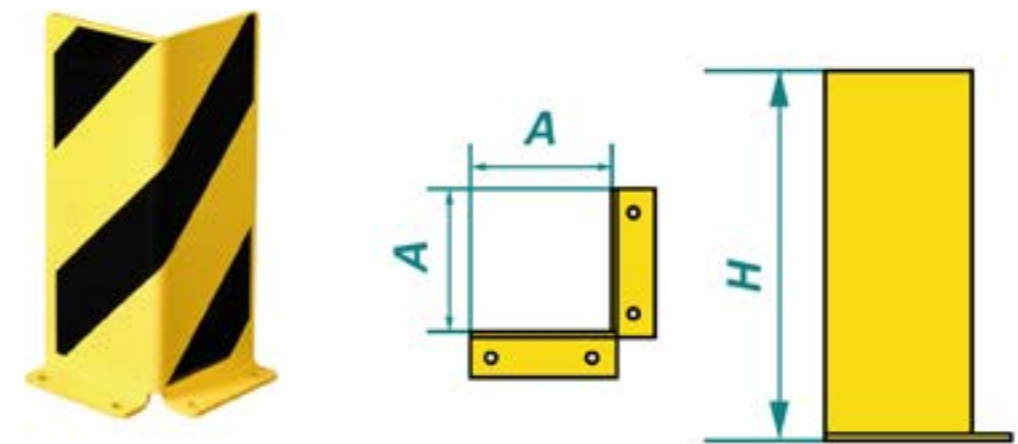
Pallet Racking Protectors

provides excellent protection to the likes of pallet racking, corners or columns that may be in place in warehouses and other such areas, helping to reduce or prevent damage that may occur. These pallet rack protectors are required for fixed racking installations where industrial trucks are used (except where they are guided by rails). Pallet Racking Protectors provide the ideal solution in most situations. They can also be used to protect machinery, partition systems, rectangular columns etc.

Easy to install, these pallet rack protectors can be bolted directly into the ground and provide instant protection to nearby assets. Each unit is powder coated yellow to provide excellent visibility while they are in use in a workplace, with black markings for a hazards or warning type design that is sure to catch the attention of nearby employees.

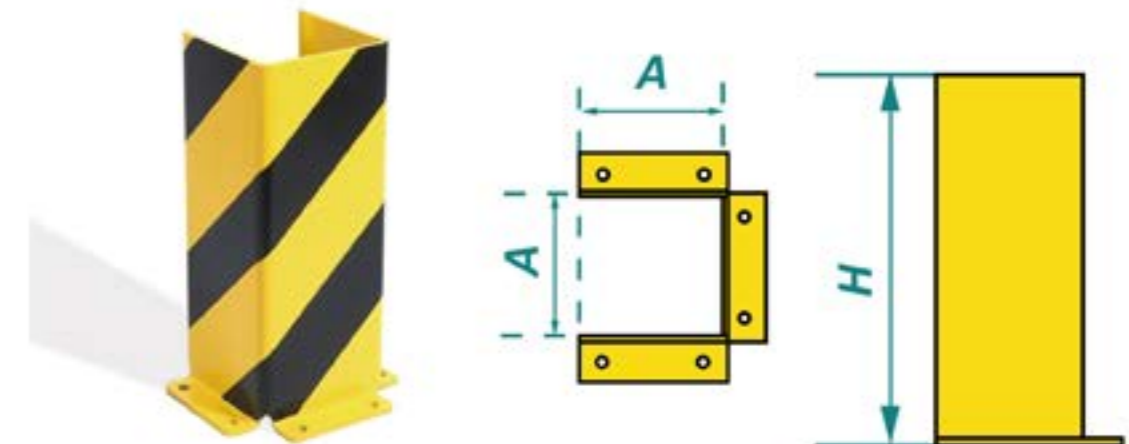
These pallet rack protectors come in a right-angle version that can help to protect assets on two sides while the u-shaped profiles can protect assets three sides.

Right-angle: Two way protection.



Symbol	Ø (mm)	H (mm)	A (mm)	B (mm)
RG-PR	-	400,500,600,800,1000,1500	125,150,200,300,400	125,150,200,300,400

U-profile: Three way protection.



Symbol	Ø (mm)	H (mm)	A (mm)	B (mm)
UP-PR	-	400,500,600,800,1000,1500	125,150,200,300,400	125,150,200,300,400

Surface treatment: Powder coated yellow with black striping.

Shelf fender made of flat sheet metal



Sheet metal fenders are used to cover storage racks fitted at workplaces . They protect sensitive areas from the possibility of contact with vehicles moving in warehouses, shop halls, as well as all production areas.

Buffers are made of sheet metal with a thickness of 4 or 6 mm as standard. However, it is also possible to make a rack fender from sheet metal of a different thickness and non-standard dimensions, depending on the needs and the place of its application. In order to obtain an individual quote

The offer includes flat sheets and "L" and "U" fenders . They can be used together to ensure maximum protection of the racks against potential contact with vehicles that move along storage avenues or the spaces of halls in which the racks are located.

All fenders in the standard version are powder painted yellow and covered with black foil . This color combination makes sensitive areas very visible and at the same time properly protected .

Steel fenders help minimize the risk of damage to the rack legs. They can also be used in places with which no equipment, vehicles or machines should have contact.

Symbol	Thickness (mm)	H (mm)	w (mm)
FM01	4	400,1000	400,1000
FM02	6		

CONTACT



WE INVITE YOU TO CONTACT:

Firma Produkcyjno-Usługowa
ELEKTRON Limited liability company
limited partnership



Customer service hours:

Monday - Friday, 7:00 am - 4:00 pm



38-462 Kobylany, Sulistrowa 33

CUSTOMER SERVICE OFFICE



+48 13 307 03 03



SHEET LASER CUTTING:

laser@web-elektron.pl



OFFICE:

biuro@web-elektron.pl



www.web-elektron.pl



NIP: 6842640074



REGON: 360939126



KRS: 0000749874

